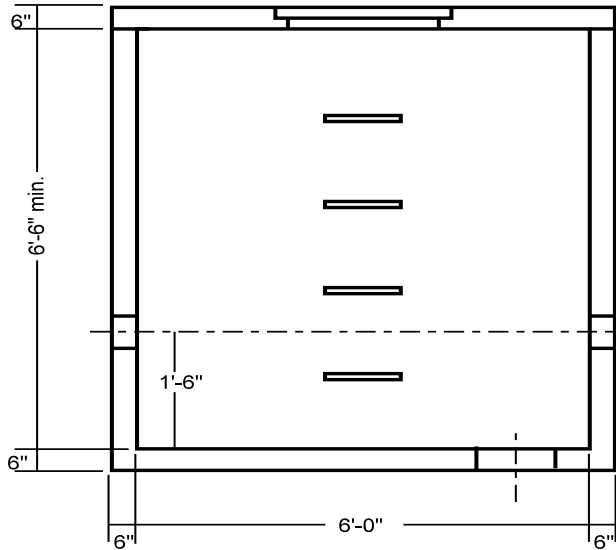
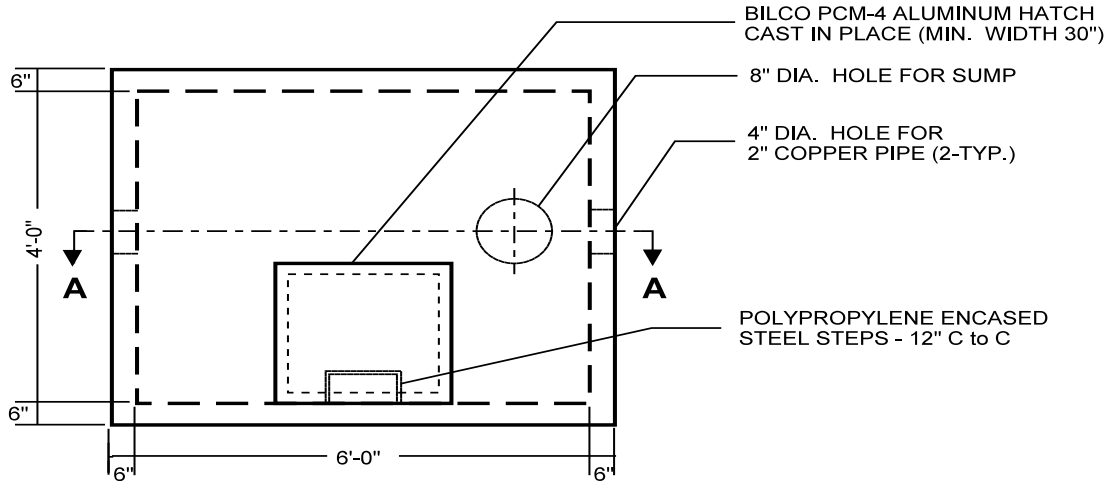


METER PIT FOR 1 ½" & 2" METER
with BACKFLOW PREVENTER



Section A-A

Notes:

1. Pit may be precast or built on site with concrete blocks with prior approval of materials and method of construction by the Authority.
2. Hatch location may be moved with Authority approval.
3. Mega-lugs must be used on all fittings or they must be rodded (4 min.) and anchored in concrete if Ductile Iron pipe is used.
4. Concrete Thrust Blocks must be used on all underground bends & tee's if Ductile Iron pipe is used.
5. If 4" pipe is used, meter pit must be larger for the additional fittings, approx. 14' x 4'.
6. **No Solder Joints Allowed Inside Pit or Underground**
7. Meter setting inside the pit shall consist of: Gate/Ball Valve, Meter, Backflow Preventer, Pressure Reducing Valve(optional) & Gate/Ball Valve.