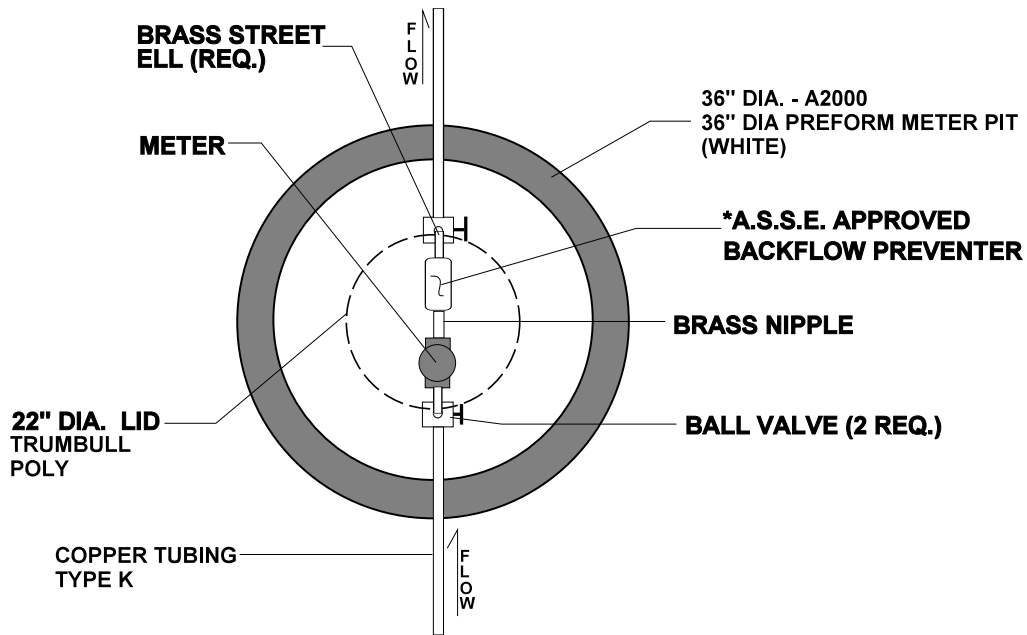
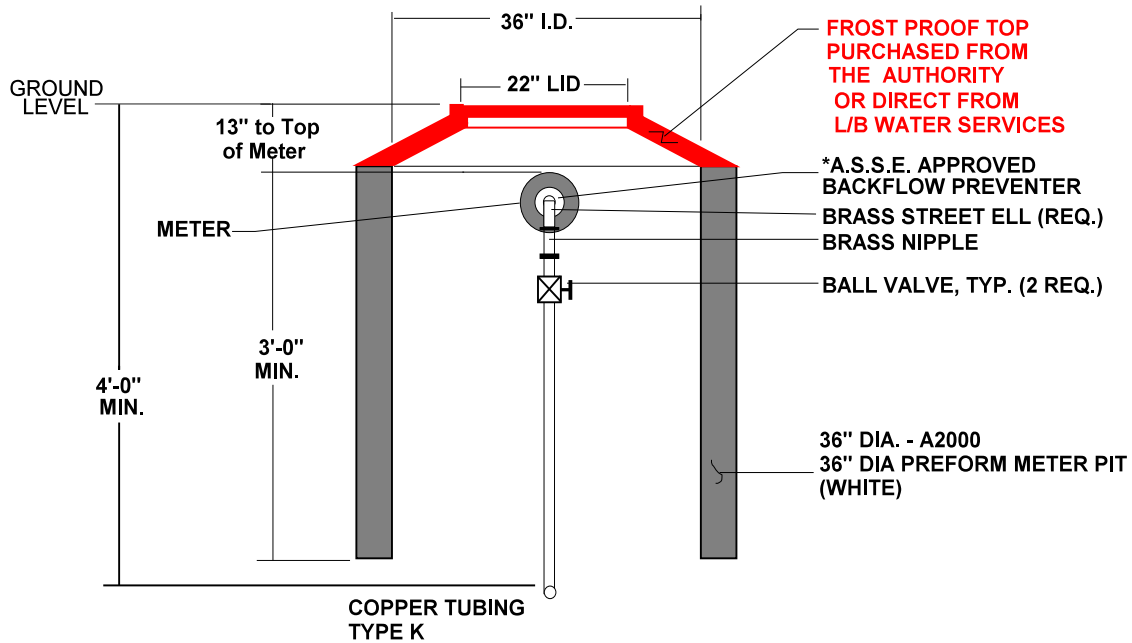


STATE COLLEGE BOROUGH WATER AUTHORITY

METER PIT SPECIFICATIONS for Installation of Meters (3/4" & 1")



ALL MATERIALS MUST BE COPPER, BRASS OR DUCTILE IRON TO THE BALL VALVE LOCATED ON THE DOWNSTREAM SIDE OF THE PIT TO ADD STABILITY TO THE METER SETTING.

***Can not be a REDUCED PRESSURE ZONE (RPZ) BACKFLOW PREVENTER
NO SOLDER JOINTS ALLOWED IN PIT OR UNDERGROUND**

****A curb stop must be installed between the meter pit and the water main for isolation purposes if one is not provided by the Authority.**